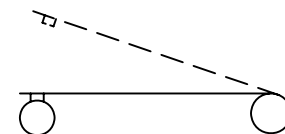
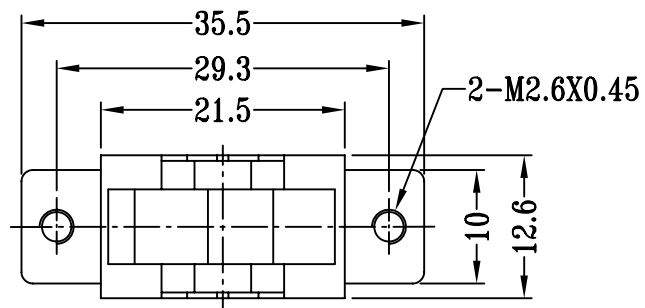
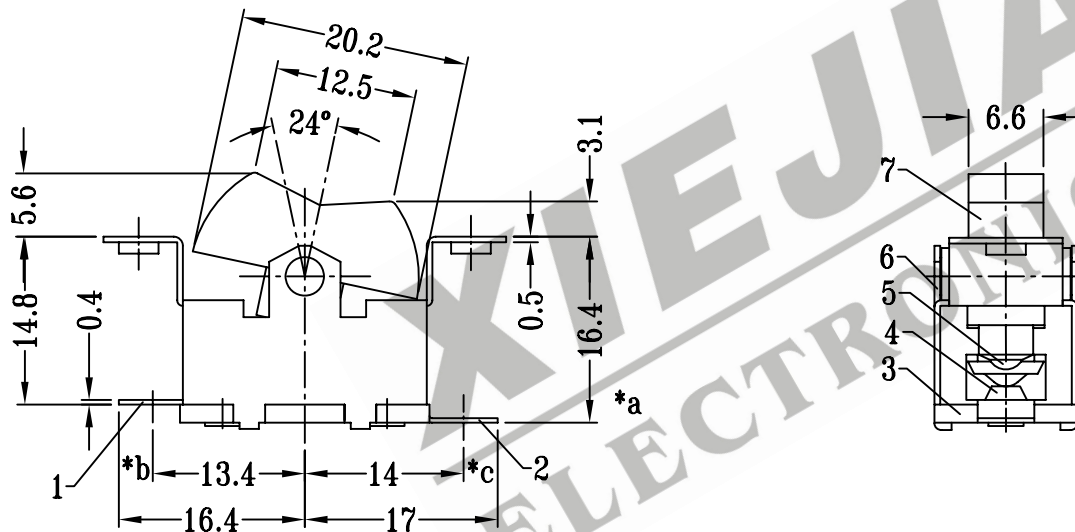


CAD FILE:



SCHEMATIC



注:带"\*"表示关键尺寸(3个)

9	SPRING	STEEL WIRE	1	TEMPER	TOLERANCE UNLESS SPECIFIED	SHENZHEN XIEJIA ELECTRONICS CO.,LTD.				
8	STEEL BALL	STEEL	1	NATURAL						
7	KNOB	PC	1	BLACK						
6	FRAME	STEEL STRIP	1	Zn PLATED	WITHIN: 1.5±0.1mm	ISSUE	DATE	DESCRIPTIONS	APPD.	
5	CONTACT B	BRASS STRIP	1	Ag PLATED	OVER : 1.5±0.2mm					
4	CONTACT A	COPPER	2	Ag PLATED	TITLE : ROCKER SWITCH		UNIT : MM	DRWG NO.: XJ-DR-RS1136-00		
3	TERMINAL BASE	PHENOLIC RESIN	1	NATURAL	MODEL : RS-1136		SCALE: 3:2	DWN.	ZHOUYU	2003-7-9
2	TERMINAL B	BRASS STRIP	1	Ag PLATED OVER Ni PLATED	ALL MATERIALS MUST BE COMPLIANT TO ROHS			CHK'D	FANGYING	2003-7-9
1	TERMINAL A	BRASS STRIP	1	Ag PLATED OVER Ni PLATED				APPD.	KANGXINAN	2003-7-9
NO.	PART NAME	MATERIAL	Q'TY	FINISHING						